



Acropetal Engineering LLP



Product catalogue : *Manufactured and* *Traded products*

Ver Oct 21

GSTIN:-09ABUFA5074H1ZY

Contact:-info@acroengg.com

www.acroengg.com

Reg. office:-D-208, Sector 10

Noida 201301(U.P.),India



Acropetal Engineering LLP

Toilet Paper & Paper towel



Paper towel

Tissue Paper & Facial tissue



Toilet paper

- Soft, strong & absorbent tissue for any business.
- Designed to dissolve in water, preventing blockage.
- Compatible with general toilet tissue dispensers.

- Soft, strong & absorbent tissue.
- Disposable.
- Environment friendly.



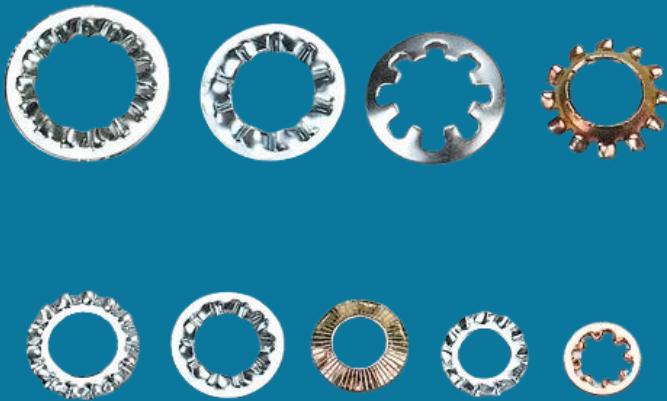
Acropetal Engineering LLP

Metal Washer



Spring washer

Metal washer



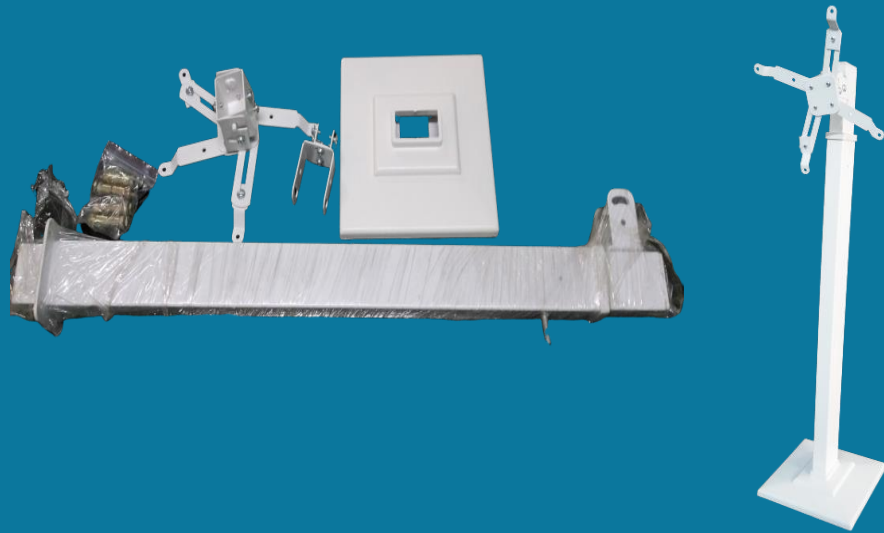
Star washer

Brass washer

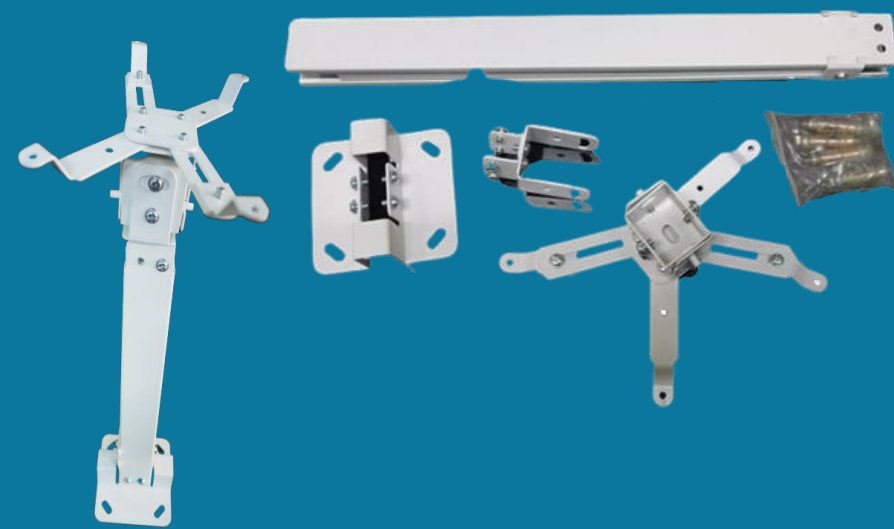


Acropetal Engineering LLP

Short Throw Projector Stand



Ceiling Mount Projector Stand



Specification	
Dimension	2ft X 2ft, sliding type
Wt. carrying capacity	5 Kg at full extension
colour	white /Creamish colour, standard white good
Surface	Glossy Powder coated , Salt Spray tested
Fasteners	Included , wall mounting
Projector	Not Included ,
which Projectors can be fixed	Flexible , for wide range
Mounting type	Adjustable fingers , 3 D movement for widest coverage of projection area

Specification	
Dimension	1ftx1ft, 1.5ftx1.5ft, 2ft X 2ft
Wt. carrying capacity	5 Kg at full extension
colour	white /Creamish colour, standard white good
Surface	Glossy Powder coated , Salt Spray tested
Fasteners	Included , wall mounting
Projector	Not Included ,
which Projectors can be fixed	Flexible , for wide range
Mounting type	Adjustable fingers , 3 D movement for widest coverage of projection area



Acropetal Engineering LLP

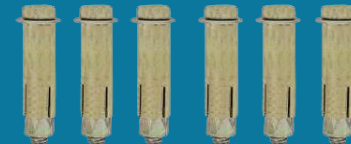


L-angle
(CRC-powder
coated)



Bracket
(CRC-powder coated)

Specification	
Bracket	2pcs,
L-angles	2pcs
colour	white /Creamish colour, standard white good
Surface	Glossy Powder coated , Salt Spray tested
Fasteners	Included



→ M8X50



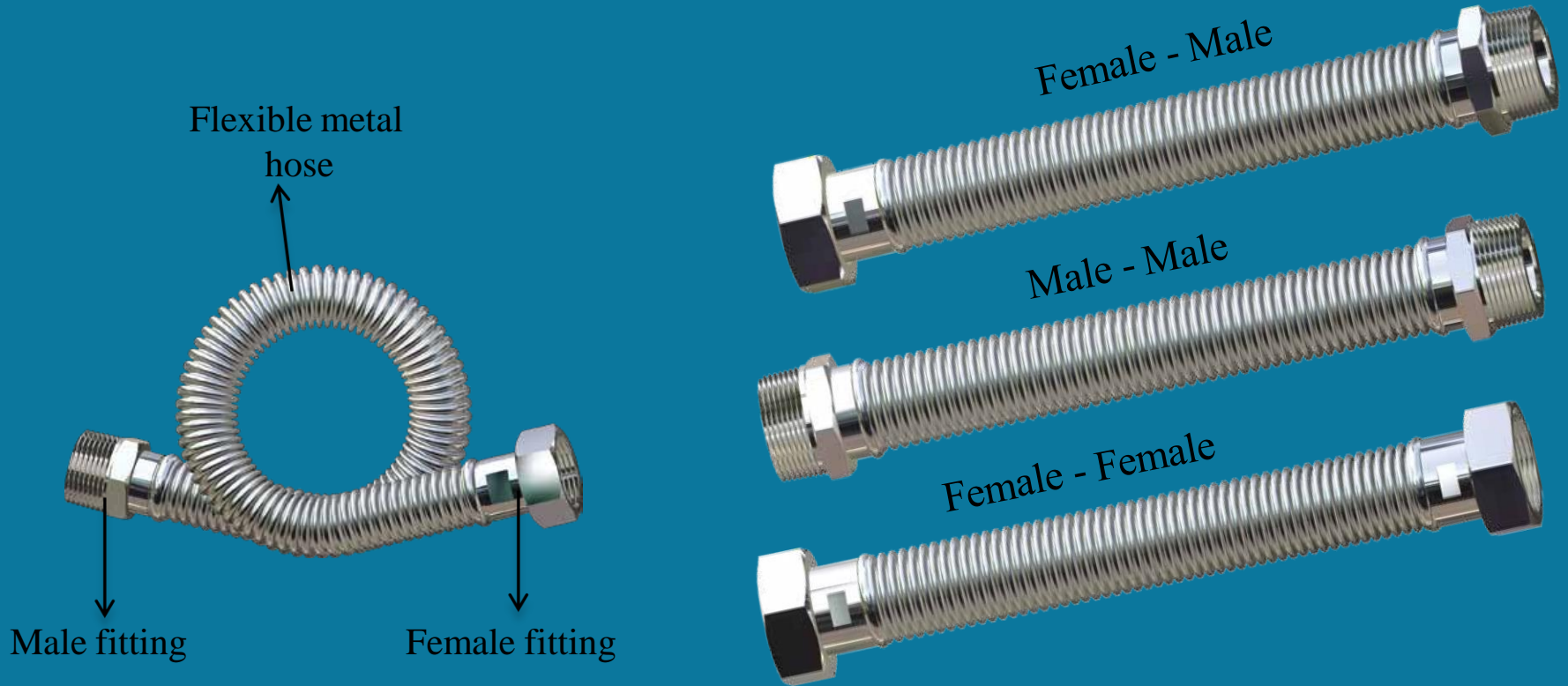
→ M8X35



→ M8X20



Acropetal Engineering LLP

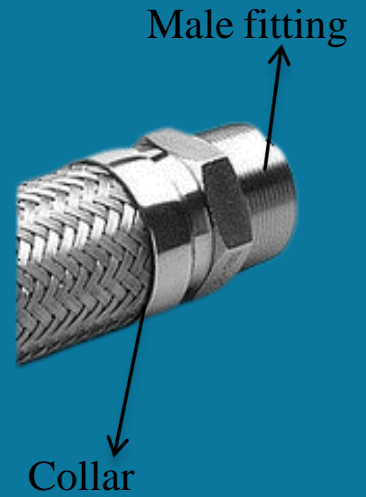
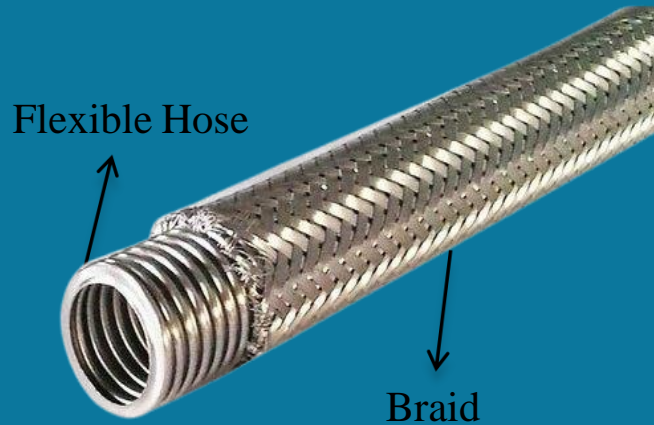
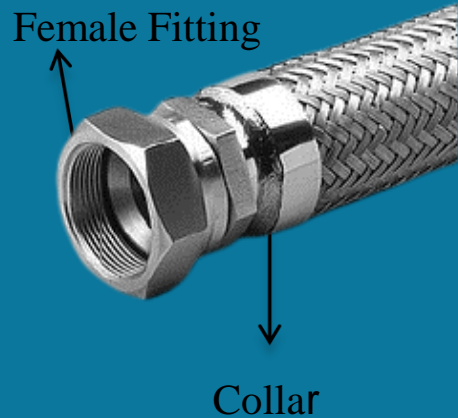
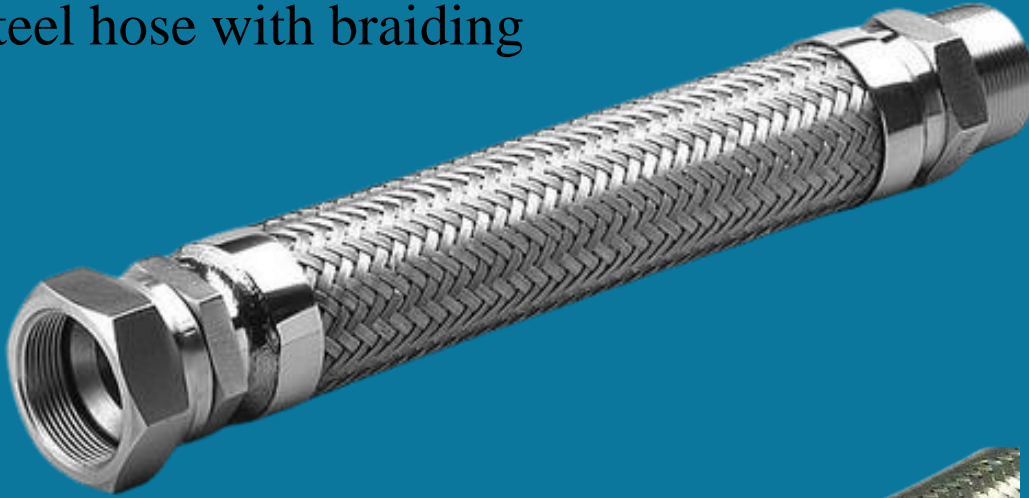


Flexible steel hose without braiding



Acropetal Engineering LLP

Flexible steel hose with braiding



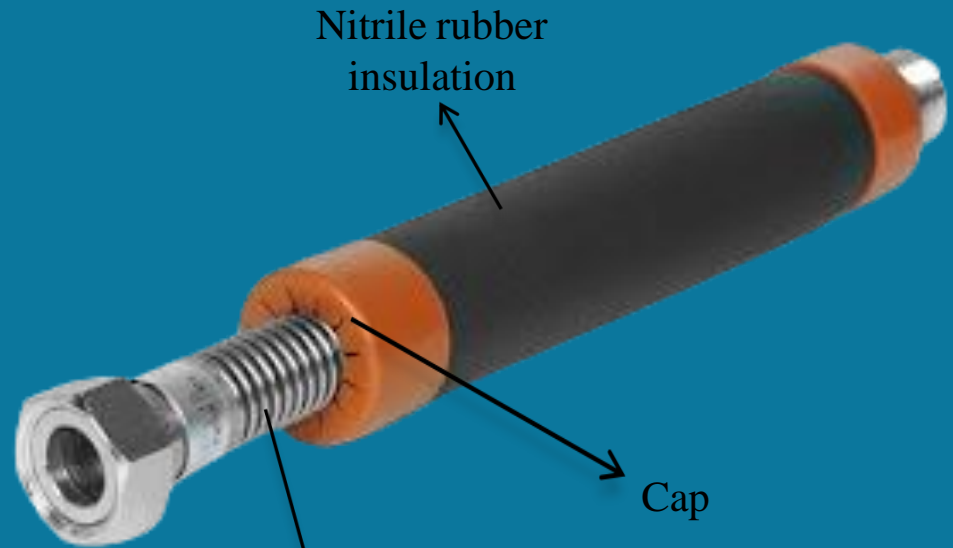


Acropetal Engineering LLP

Flexible steel hose with nitrile insulation



Nitrile rubber
insulation



Nitrile rubber
insulation

Cap

Flexible metal
hose

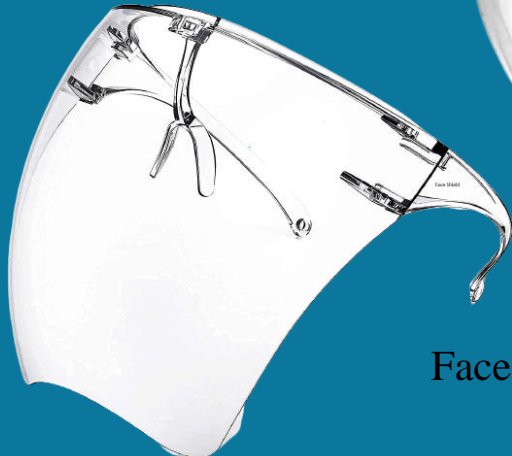


Flexible metal
hose



Acropetal Engineering LLP

Safety goggles & face shield



Face shield



Safety goggles



Acropetal Engineering LLP

Lifting strap & reflective vest belt



Reflective adjustable vest belt

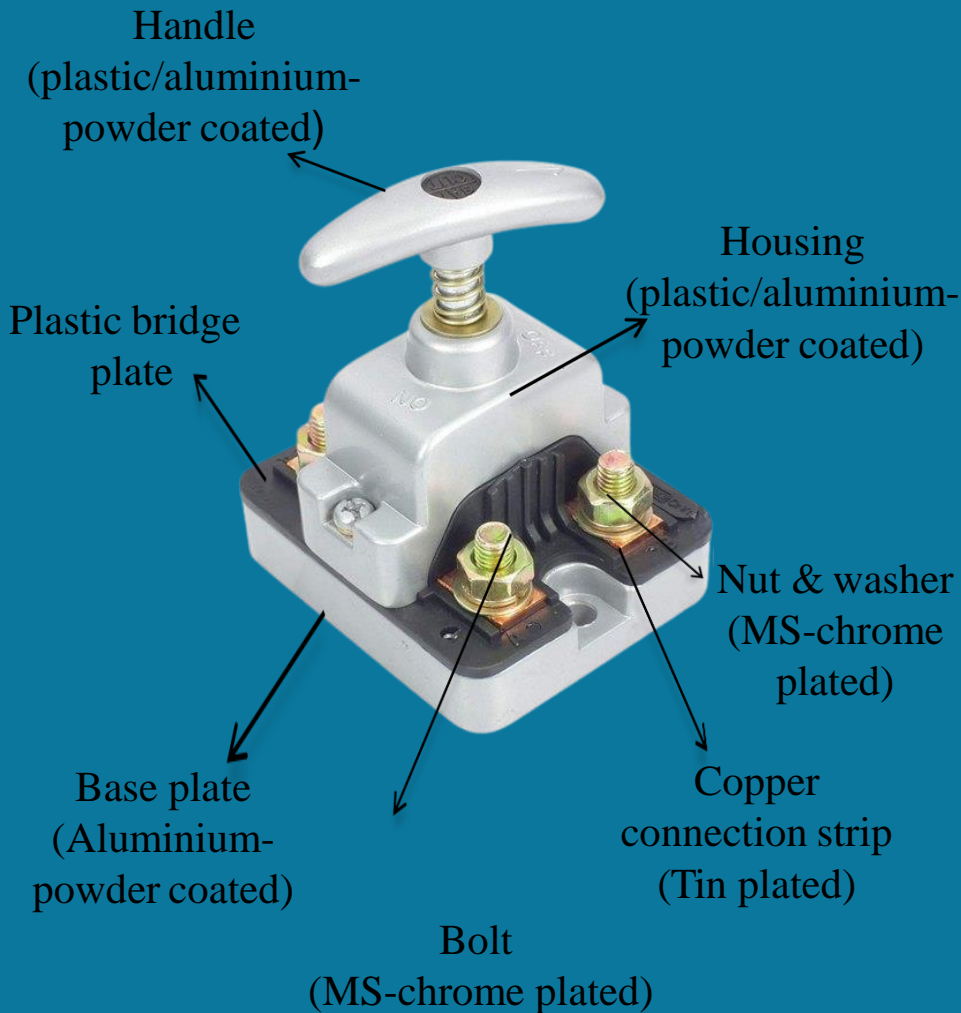


Lifting strap



Acropetal Engineering LLP

Battery cutout switch



Doble pole
aluminium body
Model AE-0122



2X2 pole Plastic &
aluminium body
Model AE-0124



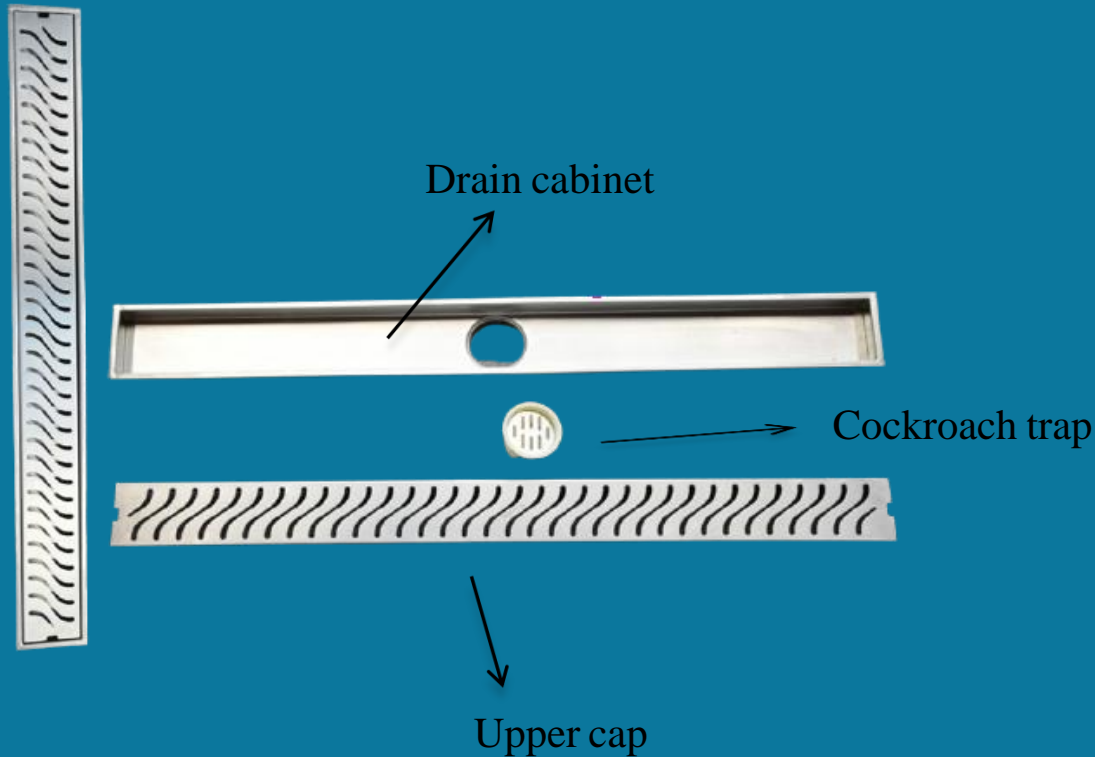
2 pole plastic body
Model AE-0121



Acropetal Engineering LLP


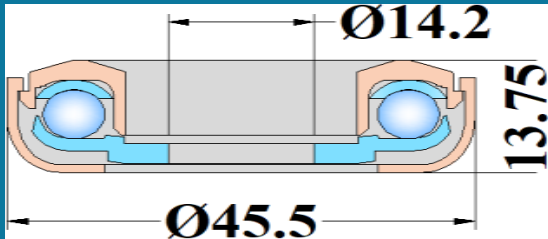

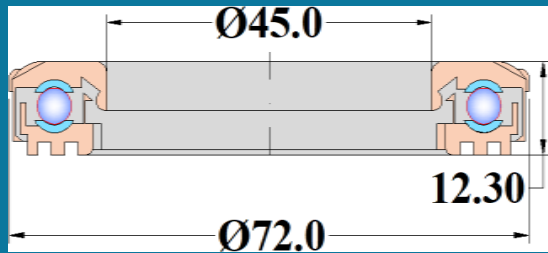

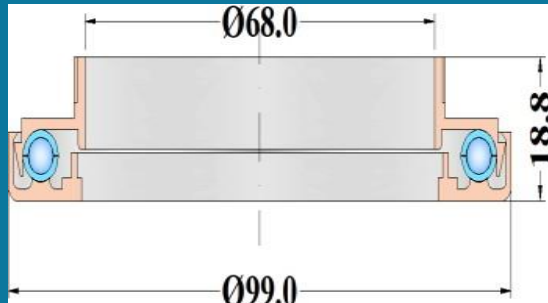

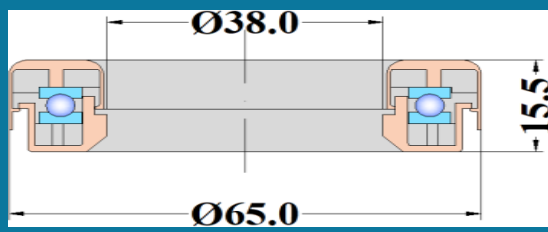
Bathroom Linear Drain

Shaving blade holder




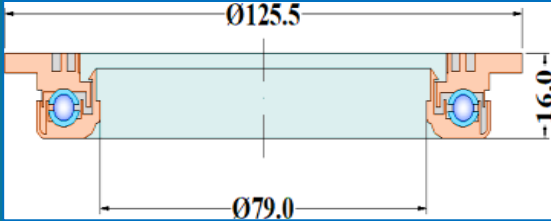

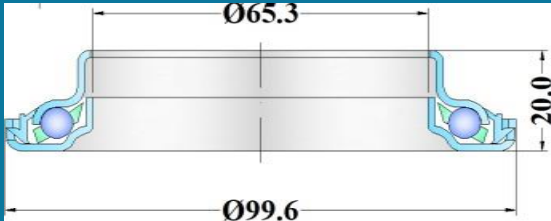

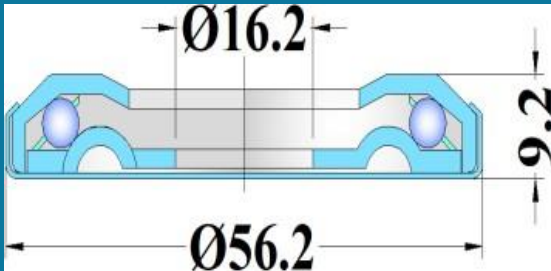

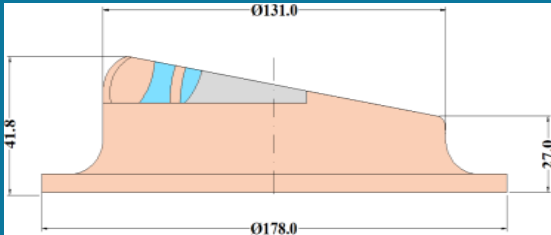


Acropetal Engineering LLP

Sl.no	AEL	PHOTOS	DARWINGS	VEHICLES
1	2210AEL01			AUDI,SMART, VOLKSWAGEN, FORD, SKODA,SEAT, PONTIAC, CHEVROLET
2	2210AEL02			CHRYSLER, DODGE
3	2210AEL03			FORD
4	2210AEL04			



Acropetal Engineering LLP

Sl.no	AEL	PHOTOS	DARWINGS	VEHICLES
5	2210AEL05			
6	2210AEL06			RENAULT,VOLVOV, CITOEN,KIA, PEUGEOT, HYUNDAI
7	2210AEL07			NISSAN,DACIA, RENAULT
8	2210AEL08			



Acropetal Engineering LLP

Sl.no	AEL	PHOTOS	DARWINGS	VEHICLES
9	2210AEL09			OPEL, VAUXHALL, BUICK, CADILLAC
10	2210AEL10			RENAULT
11	2210AEL11			CHEVROLET, SATURN, OPEL,BUICK
12	2210AEL12			



Acropetal Engineering LLP

Sl.no	AEL	PHOTOS	DARWINGS	VEHICLES
13	2210AEL13			
14	2210AEL14			FIAT, OPEL, SAAB, VAUXHALL, CHEVROLET, HOLDEN
15	2210AEL15			
16	2210AEL16			FORD, MAZDA, VOLVO

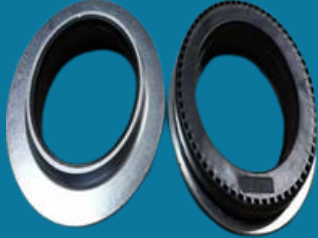
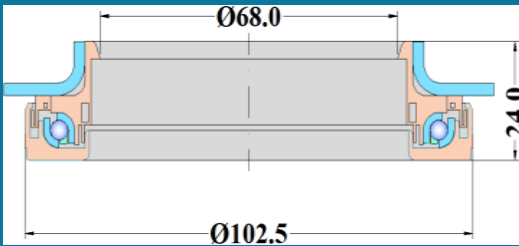
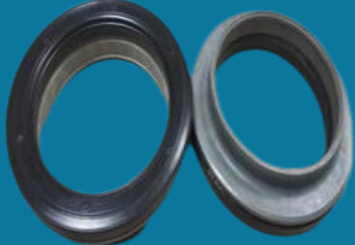
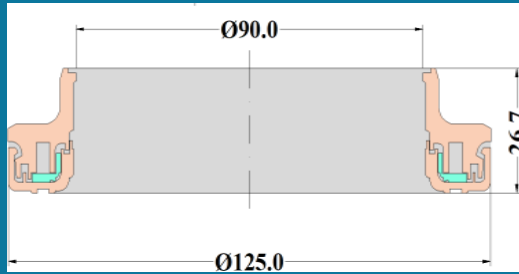

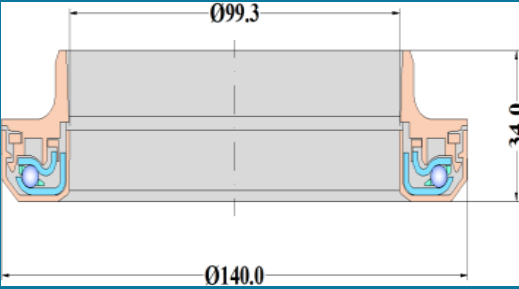
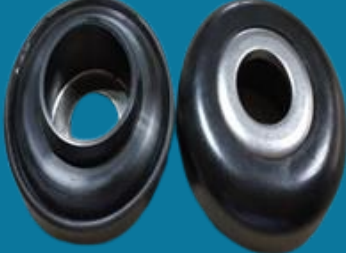
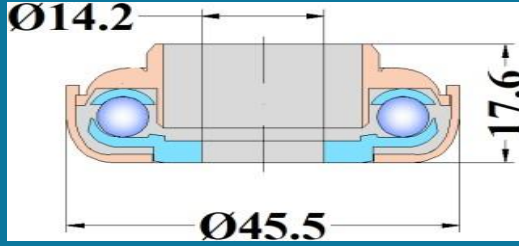


Acropetal Engineering LLP

Sl.no	AEL	PHOTOS	DARWINGS	VEHICLES
17	2210AEL17			OPEL, VAUXHALL
18	2210AEL18			FIESTAIV, FUSION(JV), FIESTAVAN,2(DY)
19	2210AEL19			FIAT, PEUGEOT, OPEL, ALFAROMEO, VAUXHALL, LANCIA, CITROGEN
20	2210AEL20			RENAULT,VOLVO, CITROEN,PEUGEOT, HYUNDAI,KIA



Acropetal Engineering LLP

Sl.no	AEL	PHOTOS	DARWINGS	VEHICLES
21	2210AEL21			VW,AUDI, SKODA,SEAT
22	2210AEL22			NISSAN
23	2210AEL23			NISSAN,RENAULT, MERCEDES,BENZ
24	2210AEL24			AUDI,SMART,FORD, SKODA,SEAT, PONTIAC, CHEVROLET


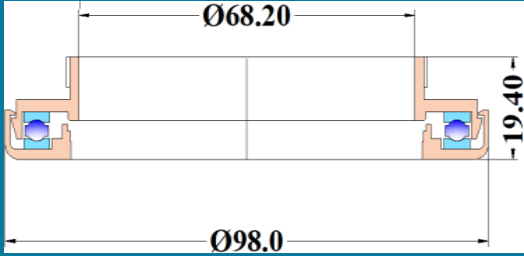

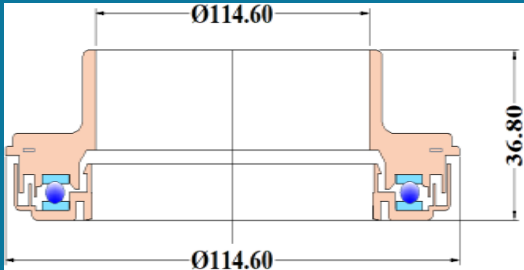

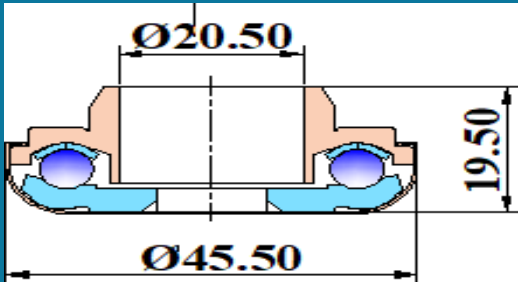

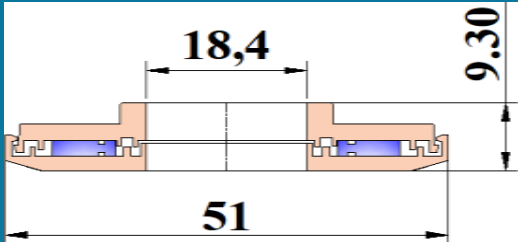


Acropetal Engineering LLP

Sl.no	AEL	PHOTOS	DARWINGS	VEHICLES
25	2210AEL25			SUZUKI
26	2210AEL26			FORD, MAZDA
27	2210AEL27			FORD, MAZDA
28	2210AEL28			


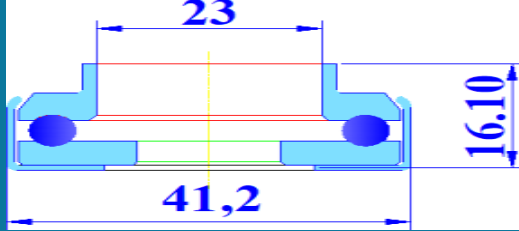
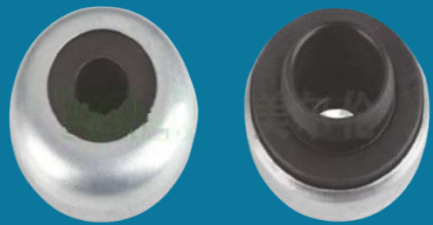
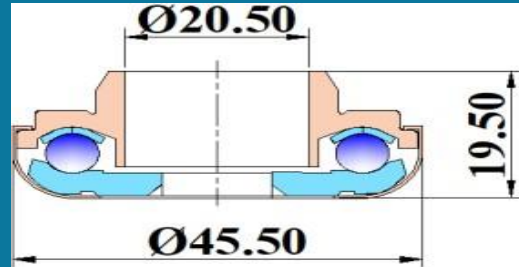

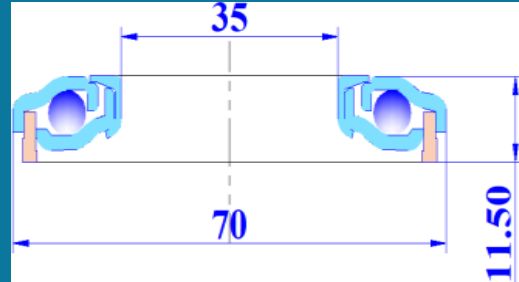

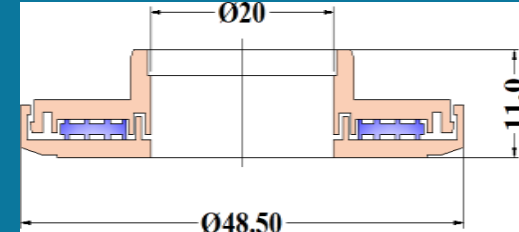


Acropetal Engineering LLP

Sl.no	AEL	PHOTOS	DARWINGS	VEHICLES
29	2210AEL29			
30	2210AEL30			HYUNDAI,KIA
31	2210AEL31			HONDA,TOYOTA, NISSAN,SUZUKI, LANCIA, CITROGEN,FIAT
32	2210AEL32			



Acropetal Engineering LLP

Sl.no	AEL	PHOTOS	DARWINGS	VEHICLES
34	2210AEL34			VW
35	2210AEL35			TOYOTA,LEXUS
37	2210AEL37			TOYOTA,LEXUS
39	2210AEL39			

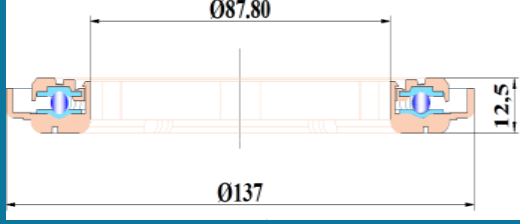




Acropetal Engineering LLP

Sl.no	AEL	PHOTOS	DARWINGS	VEHICLES
40	2210AEL40			
43	2210AEL43			
45	2210AEL45			
47	2210AEL47			OPEL,VAUX HALL,BUICK , CADILLAC


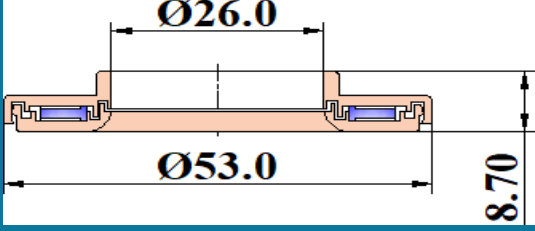



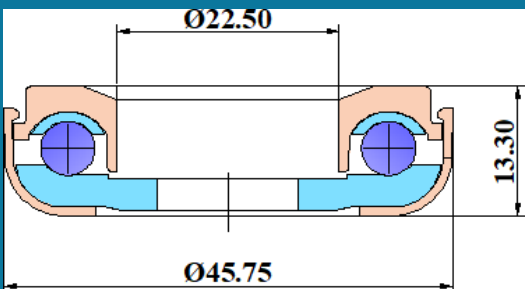

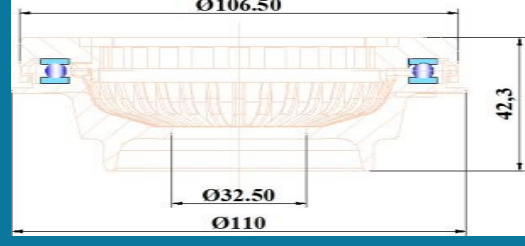


Acropetal Engineering LLP

Sl.no	AEL	PHOTOS	DARWINGS	VEHICLES
48	2210AEL48			OPEL, VAUXHALL, BUICK, CADILLAC
49	2210AEL49			
50	2210AEL50			
52	2210AEL52			


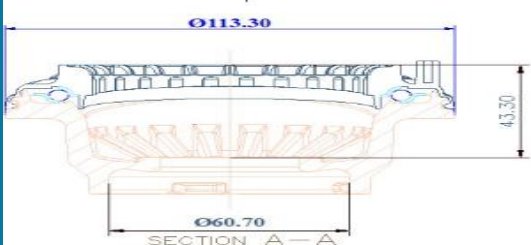


Acropetal Engineering LLP

Sl.no	AEL	PHOTOS	DARWINGS	VEHICLES
54	2210AEL54			NISSAN
56	2210AEL56			CHEUROLET,GMC, PONTIAC,SATURN
61	2210AEL61			AUDI,SMART, VOLKSWAGEN, FORD, SKODA, SEAT, CHEVROLET, PONTIAC
62	2210AEL62			FORD, MAZDA



Acropetal Engineering LLP

Sl.no	AEL	PHOTOS	DARWINGS	VEHICLES
63	2210AEL63			FORD, LANDROVER, VOLVO
64				
65				
66				



Acropetal Engineering LLP

Machine, Equipment & Facilities

GENERAL PURPOSE TOOL ROOM MACHINES :

1. Surface grinders – 3 Nos.
250x500(table size), 250x500(table size), 200x450(table size)
2. Lathe machine 6 feet -1 No.
3. Wire cut EDM machine- 3 Nos.
Electronica sprint cut 2020 model -2, Electronica sprint cut -1
4. Milling machine- 4 Nos., 900mmx600mm
5. Drilling machine- Various size
6. Tapping machine-Variou s size
7. Welding machine-Variou s size
8. Argon welding machine



Acropetal Engineering LLP

Machine, Equipment & Facilities

PRODUCTION MACHINES :

1. Presses: 5T, 10T, 20T, 30T And Hydraulic press 200T
2. VMC machine- 4, BFW-1000mmx610mmx610mm, BFW-800mmx350mmx350mm
BFW-650mmX450mmX450mm, Cosmos-1000mmx610mmx610mm.
3. CNC Lathe machine- 7 Various sizes.
4. Plastic Moulding machines – 4 Nos. Toshiba 80T,150T and 180T and 250T Golden Hyd.

GENERAL PURPOSE MEASURING INSTRUMENTS

Mitutoyo make-

Vernier Calipers, Digital vernier Calipers, Micrometres, Height gauges, Depth micrometres, Radius gauge, Thread gauges, Plunger dial gauge, Feeler gauges, Slip gauge box, Bore gauges, Magnetic v blocks, Surface plate etc.